

## STAINLESS STEEL WORKTABLES

### EECF3-SERIES— ENCLOSED WORKTABLE W/ REAR TURN-UP, UNDERSHELF & CASTERS

PROJECT#: \_\_\_\_\_

ITEM# \_\_\_\_\_

MODEL# \_\_\_\_\_

### SPECIFICATIONS:

**ECONOMY— EECF3-Series: 400 Series Stainless Top, 400 Series Stainless Body & 400 Series Stainless Undershelf**

- TOP:** 16 GA.  
400 Series Stainless
- SHELF:** 18 GA.  
400 Series Stainless
- BODY:** 20 GA.  
400 Series Stainless
- LEGS:** 1 1/2" Square  
Tubular Stainless Steel

**STANDARD— SECF3-Series: 300 Series Stainless Top, 300 Series Stainless Body & 300 Series Stainless Undershelf**

- TOP:** 16 GA.  
300 Series Stainless
- SHELF:** 18 GA.  
300 Series Stainless
- BODY:** 20 GA.  
300 Series Stainless
- LEGS:** 1 1/2" Square  
Tubular Stainless Steel

**HEAVY DUTY— HECF3-Series: 300 Series Stainless Top, 300 Series Stainless Body & 300 Series Stainless Undershelf**

- TOP:** 14 GA.  
300 Series Stainless
- SHELF:** 16 GA.  
300 Series Stainless
- BODY:** 18 GA.  
300 Series Stainless
- LEGS:** 1 1/2" Square  
Tubular Stainless Steel

### CONSTRUCTION:

- ◆ All Table Connection Points Fully Welded for Maximum Rigidity and Long Life
- ◆ Sound Deadening Between Top and Reinforcing Channel
- ◆ Offsets on Body Ends for Flush Fit
- ◆ S/S Undershelf Welded to Legs
- ◆ Table is Polished to #3 Finish
- ◆ Working Height 35" to 36 1/4"
- ◆ Casters Rated at 250 Lbs. Each.



○ Amtekco Industries - Columbus, OH —Phone: (800) 336-4677

○ N. Wasserstrom & Sons - Columbus, OH —Phone: (800) 444-4697

○ DCS IV - Peoria, AZ—Phone: (800) 592-3274

○ GEN III - Fountain Inn, SC—Phone: (800)673-3339

○ GKS - Garland, TX—Phone (972) 485-4579

SPECIFICATIONS SUBJECT TO CHANGE WITHOUT NOTICE 01/09

ECONOMY - EECF3 - SERIES						
24" WIDE	QTY	30" WIDE	QTY	36" WIDE	QTY	LENGTH (INCHES)
EECF3-2424		EECF3-3024		EECF3-3624		24
EECF3-2430		EECF3-3030		EECF3-3630		30
EECF3-2436		EECF3-3036		EECF3-3636		36
EECF3-2442		EECF3-3042		EECF3-3642		42
EECF3-2448		EECF3-3048		EECF3-3648		48
EECF3-2454		EECF3-3054		EECF3-3654		54
EECF3-2460		EECF3-3060		EECF3-3660		60
EECF3-2466		EECF3-3066		EECF3-3666		66
EECF3-2472		EECF3-3072		EECF3-3672		72
EECF3-2478		EECF3-3078		EECF3-3678		78
EECF3-2484		EECF3-3084		EECF3-3684		84
EECF3-2490		EECF3-3090		EECF3-3690		90
EECF3-2496		EECF3-3096		EECF3-3696		96
EECF3-24102		EECF3-30102		EECF3-36102		102
EECF3-24108		EECF3-30108		EECF3-36108		108
EECF3-24114		EECF3-30114		EECF3-36114		114
EECF3-24120		EECF3-30120		EECF3-36120		120

STANDARD - SECF3 - SERIES						
24" WIDE	QTY	30" WIDE	QTY	36" WIDE	QTY	LENGTH (INCHES)
SECF3-2424		SECF3-3024		SECF3-3624		24
SECF3-2430		SECF3-3030		SECF3-3630		30
SECF3-2436		SECF3-3036		SECF3-3636		36
SECF3-2442		SECF3-3042		SECF3-3642		42
SECF3-2448		SECF3-3048		SECF3-3648		48
SECF3-2454		SECF3-3054		SECF3-3654		54
SECF3-2460		SECF3-3060		SECF3-3660		60
SECF3-2466		SECF3-3066		SECF3-3666		66
SECF3-2472		SECF3-3072		SECF3-3672		72
SECF3-2478		SECF3-3078		SECF3-3678		78
SECF3-2484		SECF3-3084		SECF3-3684		84
SECF3-2490		SECF3-3090		SECF3-3690		90
SECF3-2496		SECF3-3096		SECF3-3696		96
SECF3-24102		SECF3-30102		SECF3-36102		102
SECF3-24108		SECF3-30108		SECF3-36108		108
SECF3-24114		SECF3-30114		SECF3-36114		114
SECF3-24120		SECF3-30120		SECF3-36120		120

HEAVY DUTY - HECF3 - SERIES						
24" WIDE	QTY	30" WIDE	QTY	36" WIDE	QTY	LENGTH (INCHES)
HECF3-2424		HECF3-3024		HECF3-3624		24
HECF3-2430		HECF3-3030		HECF3-3630		30
HECF3-2436		HECF3-3036		HECF3-3636		36
HECF3-2442		HECF3-3042		HECF3-3642		42
HECF3-2448		HECF3-3048		HECF3-3648		48
HECF3-2454		HECF3-3054		HECF3-3654		54
HECF3-2460		HECF3-3060		HECF3-3660		60
HECF3-2466		HECF3-3066		HECF3-3666		66
HECF3-2472		HECF3-3072		HECF3-3672		72
HECF3-2478		HECF3-3078		HECF3-3678		78
HECF3-2484		HECF3-3084		HECF3-3684		84
HECF3-2490		HECF3-3090		HECF3-3690		90
HECF3-2496		HECF3-3096		HECF3-3696		96
HECF3-24102		HECF3-30102		HECF3-36102		102
HECF3-24108		HECF3-30108		HECF3-36108		108
HECF3-24114		HECF3-30114		HECF3-36114		114
HECF3-24120		HECF3-30120		HECF3-36120		120

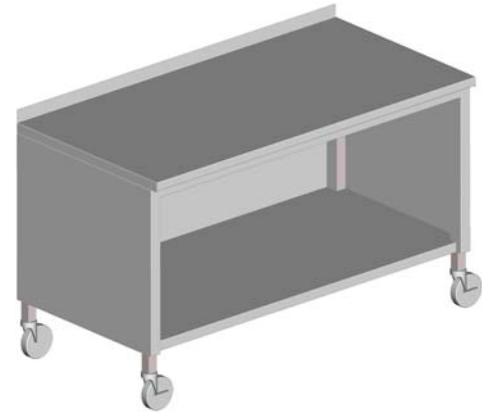
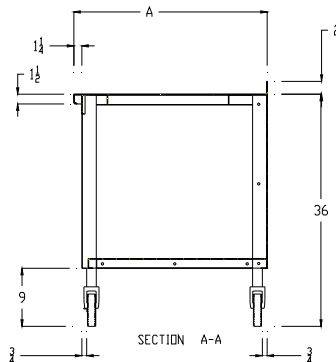
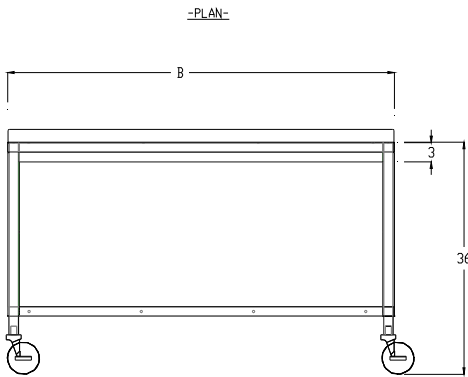
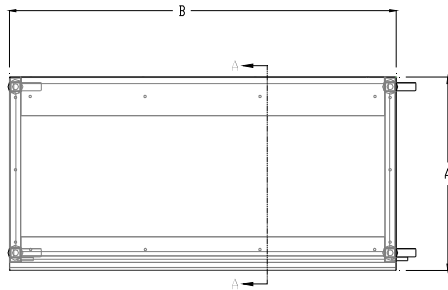
## STAINLESS STEEL WORKTABLES

### ECF3-SERIES— ENCLOSED WORKTABLE W/ REAR TURN-UP, UNDERSHELF & CASTERS

PROJECT#: \_\_\_\_\_

ITEM# \_\_\_\_\_

MODEL# \_\_\_\_\_



◆ Tables At or Above 78" Will Require (3) Sets of Legs.

A WIDTH	B LENGTH	EECF3 - SERIES 16 GA. 400 SERIES S/S TOP & 18 GA. 400 SERIES S/S UNDERSHELF	SECF3 - SERIES 16 GA. 300 SERIES S/S TOP & 18 GA. 300 SERIES S/S UNDERSHELF	HECF3 - SERIES 14 GA. 300 SERIES S/S TOP & 16 GA. 300 SERIES S/S UNDERSHELF	#Of Legs	Product Weight (lbs)
<b>24" WIDE</b>						
24	24	EECF3-2424	SECF3-2424	HECF3-2424	4	96
24	30	EECF3-2430	SECF3-2430	HECF3-2430	4	118
24	36	EECF3-2436	SECF3-2436	HECF3-2436	4	139
24	48	EECF3-2448	SECF3-2448	HECF3-2448	4	166
24	60	EECF3-2460	SECF3-2460	HECF3-2460	4	194
24	72	EECF3-2472	SECF3-2472	HECF3-2472	4	222
24	84	EECF3-2484	SECF3-2484	HECF3-2484	6	249
24	96	EECF3-2496	SECF3-2496	HECF3-2496	6	277
24	108	EECF3-24108	SECF3-24108	HECF3-24108	6	304
24	120	EECF3-24120	SECF3-24120	HECF3-24120	6	332
<b>30" WIDE</b>						
30	24	EECF3-3024	SECF3-3024	HECF3-3024	4	89
30	30	EECF3-3030	SECF3-3030	HECF3-3030	4	113
30	36	EECF3-3036	SECF3-3036	HECF3-3036	4	136
30	48	EECF3-3048	SECF3-3048	HECF3-3048	4	165
30	60	EECF3-3060	SECF3-3060	HECF3-3060	4	195
30	72	EECF3-3072	SECF3-3072	HECF3-3072	4	225
30	84	EECF3-3084	SECF3-3084	HECF3-3084	6	254
30	96	EECF3-3096	SECF3-3096	HECF3-3096	6	284
30	108	EECF3-30108	SECF3-30108	HECF3-30108	6	313
30	120	EECF3-30120	SECF3-30120	HECF3-30120	6	343
<b>36" WIDE</b>						
36	24	EECF3-3624	SECF3-3624	HECF3-3624	4	114
36	30	EECF3-3630	SECF3-3630	HECF3-3630	4	141
36	36	EECF3-3636	SECF3-3636	HECF3-3636	4	167
36	48	EECF3-3648	SECF3-3648	HECF3-3648	4	199
36	60	EECF3-3660	SECF3-3660	HECF3-3660	4	232
36	72	EECF3-3672	SECF3-3672	HECF3-3672	4	265
36	84	EECF3-3684	SECF3-3684	HECF3-3684	6	297
36	96	EECF3-3696	SECF3-3696	HECF3-3696	6	330
36	108	EECF3-36108	SECF3-36108	HECF3-36108	6	362
36	120	EECF3-36120	SECF3-36120	HECF3-36120	6	395